

# PS2-150 AHR-04S

Solar Submersible Pump System for 3,5" wells

## System Overview

Head max. 60 m  
Flow rate max. 0.77 m³/h

## Technical Data

### Controller PS2-150

- Controlling and monitoring
- Control inputs for dry running protection, remote control etc.
- Protected against reverse polarity, overload and overtemperature
- Integrated MPPT (Maximum Power Point Tracking)
- Battery operation: Integrated low voltage disconnect

Power max. 0.30 kW  
Input voltage max. 50 V  
Optimum Vmp\*\* > 17 V  
Motor current max. 22 A  
Efficiency max. 98 %  
Ambient temp. -40...50 °C  
Enclosure class IP68

### Motor ECDRIVE 150-AHR-S

- Maintenance-free brushless DC motor
- Water filled
- Premium materials, stainless steel: AISI 304
- No electronics in the motor

Rated power 0.30 kW  
Efficiency max. 92 %  
Motor speed 700...3 300 rpm  
Insulation class F  
Enclosure class IP68  
Submersion max. 150 m

### Pump End PE AHR-04S\*\*\*

- Premium materials, stainless steel: AISI 304/316
  - Helical rotor pump
- Efficiency max. 54 %



### Pump Unit PU150 AHR-04S (Motor, Pump End)

Borehole diameter min. 3,5 in  
Water temperature max. 50 °C

## Standards



2006/42/EC, 2004/108/EC, 2006/95/EC

IEC/EN 61702:1995, IEC/EN 62253 Ed.1

The logos shown reflect the approvals that have been granted for this product family. Products are ordered and supplied with the approvals specific to the market requirements.

\*\*Vmp: MPP-voltage under Standard Test Conditions (STC): 1000 W/m² solar irradiance, 25 °C cell temperature

\*\*\*Specify temperature range on order

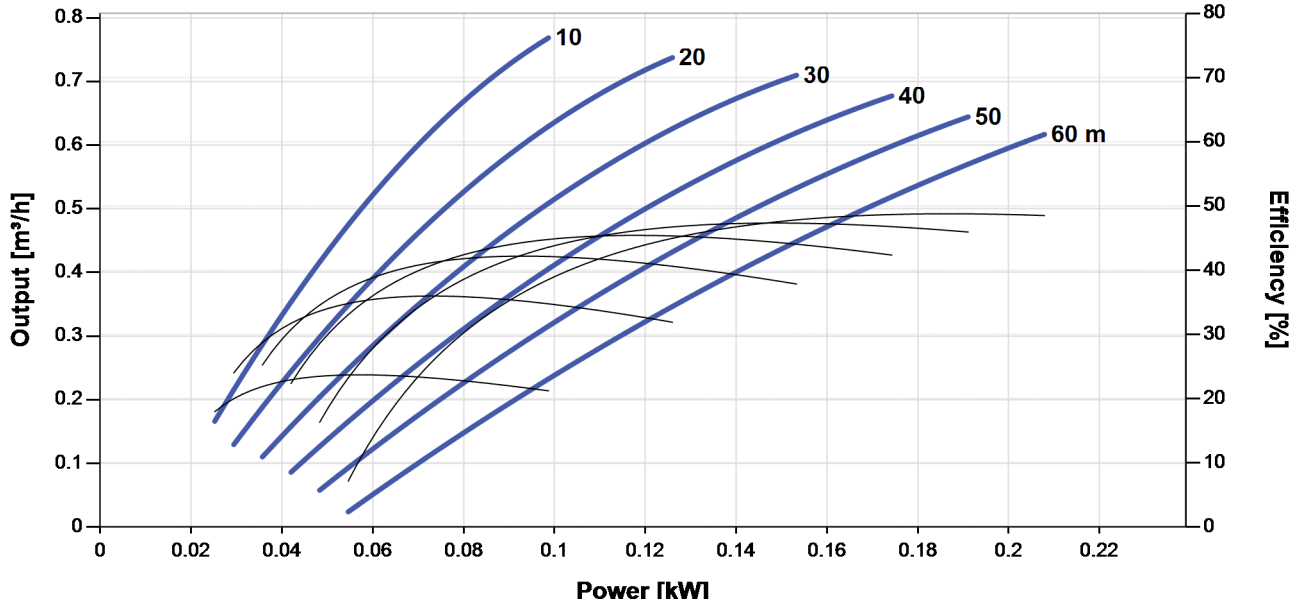


## PS2-150 AHR-04S

Solar Submersible Pump System for 3,5" wells

### Pump Chart

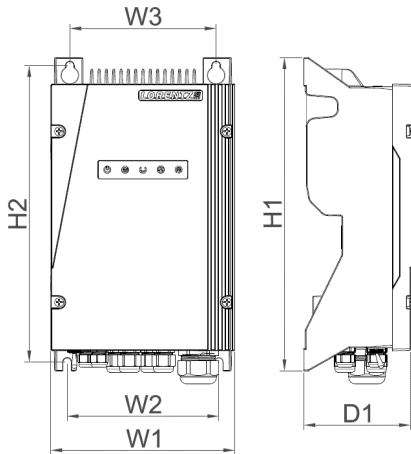
Vmp\* > 17 V



### Dimensions and Weights

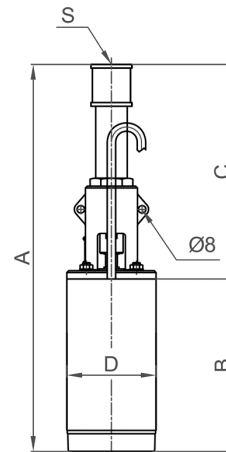
#### Controller

H1 = 352 mm  
H2 = 333 mm  
W1 = 207 mm  
W2 = 170 mm  
W3 = 164 mm  
D1 = 124 mm



#### Pump Unit

A = 445 mm  
B = 211 mm  
C = 234 mm  
D = 88 mm  
S = 1 in



	Net weight
Controller	5.6 kg
Pump Unit	8.4 kg
Motor	6.8 kg
Pump End	1.6 kg

\*Vmp: MPP-voltage under Standard Test Conditions (STC): 1000 W/m² solar irradiance, 25 °C cell temperature

