

# PS2-1800 C-SJ17-2

Solar Submersible Pump System for 6" wells

## System Overview

Head	max. 16 m
Flow rate	max. 26 m <sup>3</sup> /h

## Technical Data

### Controller PS2-1800

- Controlling and monitoring
- Control inputs for dry running protection, remote control etc.
- Protected against reverse polarity, overload and overtemperature
- Integrated MPPT (Maximum Power Point Tracking)
- Battery operation: Integrated low voltage disconnect
- Integrated Sun Sensor

Power	max. 1.8 kW
Input voltage	max. 200 V
Optimum Vmp**	> 102 V
Motor current	max. 14 A
Efficiency	max. 98 %
Ambient temp.	-40...50 °C
Enclosure class	IP68

### Motor ECDRIVE 1200-C / ECDRIVE 1800-C

- Maintenance-free brushless DC motor
- Water filled
- Premium materials, stainless steel: AISI 304/316
- No electronics in the motor

Rated power	1.7 kW
Efficiency	max. 92 %
Motor speed	900...3 300 rpm
Insulation class	F
Enclosure class	IP68
Submersion	max. 150 m

### Pump End PE C-SJ17-2

- Non-return valve
  - Premium materials, stainless steel: AISI 304
  - Centrifugal pump
- |            |           |
|------------|-----------|
| Efficiency | max. 59 % |
|------------|-----------|



### Pump Unit PU1800 C-SJ17-2 (Motor, Pump End)

Borehole diameter	min. 6,0 in
Water temperature	max. 50 °C

## Standards



2006/42/EC, 2004/108/EC, 2006/95/EC

IEC/EN 61702:1995, IEC/EN 62253 Ed.1

The logos shown reflect the approvals that have been granted for this product family. Products are ordered and supplied with the approvals specific to the market requirements.

\*\*Vmp: MPP-voltage under Standard Test Conditions (STC): 1000 W/m<sup>2</sup> solar irradiance, 25 °C cell temperature

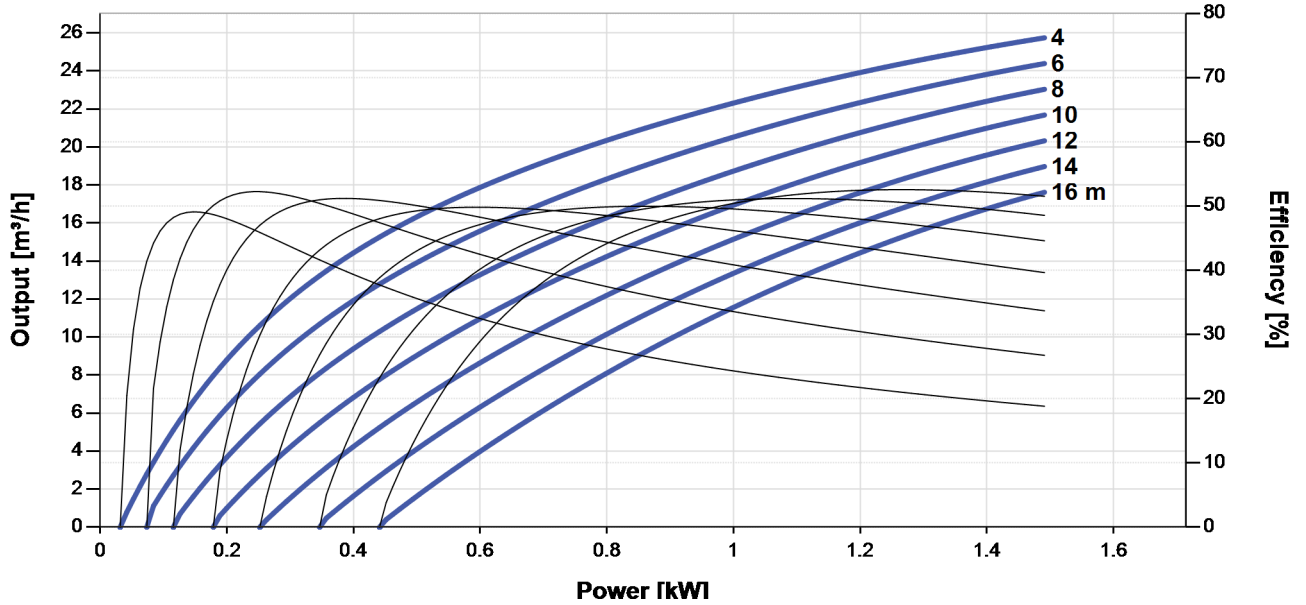


## PS2-1800 C-SJ17-2

Solar Submersible Pump System for 6" wells

### Pump Chart

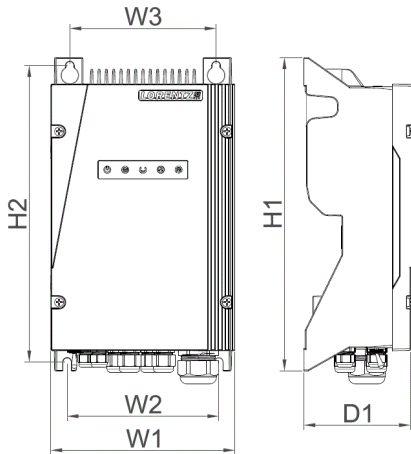
Vmp\* > 102 V



### Dimensions and Weights

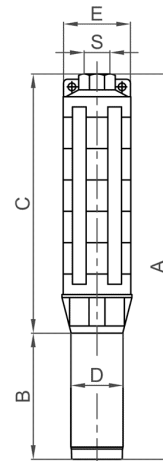
#### Controller

H1 = 352 mm  
H2 = 333 mm  
W1 = 207 mm  
W2 = 170 mm  
W3 = 164 mm  
D1 = 124 mm



#### Pump Unit

A = 577 mm  
B = 185 mm  
C = 392 mm  
D = 96 mm  
E = 133 mm  
S = 2.5 in



	Net weight
Controller	6.0 kg
Pump Unit	16 kg
Motor	7.0 kg
Pump End	8.5 kg

\*Vmp: MPP-voltage under Standard Test Conditions (STC): 1000 W/m² solar irradiance, 25 °C cell temperature

