

PS2-4000 C-SJ60-2-2

Solar Submersible Pump System for 6" wells

System Overview

Head	max. 16 m
Flow rate	max. 61 m³/h

Technical Data

Controller PS2-4000

- Controlling and monitoring
- Control inputs for dry running protection, remote control etc.
- Protected against reverse polarity, overload and overtemperature
- Integrated MPPT (Maximum Power Point Tracking)
- Integrated Sun Sensor

Power	max. 4.0 kW
Input voltage	max. 375 V
Optimum Vmp**	> 238 V
Motor current	max. 14 A
Efficiency	max. 98 %
Ambient temp.	-40...50 °C
Enclosure class	IP68

Motor ECDRIVE 4000-C

- Maintenance-free brushless DC motor
- Water filled
- Premium materials, stainless steel: AISI 304/316
- No electronics in the motor

Rated power	4.0 kW
Efficiency	max. 92 %
Motor speed	900...3 300 rpm
Insulation class	F
Enclosure class	IP68
Submersion	max. 150 m

Pump End PE C-SJ60-2-2

- Non-return valve
 - Premium materials, stainless steel: AISI 304
 - Centrifugal pump
- | | |
|------------|-----------|
| Efficiency | max. 60 % |
|------------|-----------|



Pump Unit PU4000 C-SJ60-2-2 (Motor, Pump End)

Borehole diameter	min. 6,0 in
Water temperature	max. 50 °C

Standards



2006/42/EC, 2004/108/EC, 2006/95/EC

IEC/EN 61702:1995, IEC/EN 62253 Ed.1

The logos shown reflect the approvals that have been granted for this product family. Products are ordered and supplied with the approvals specific to the market requirements.

**Vmp: MPP-voltage under Standard Test Conditions (STC): 1000 W/m² solar irradiance, 25 °C cell temperature

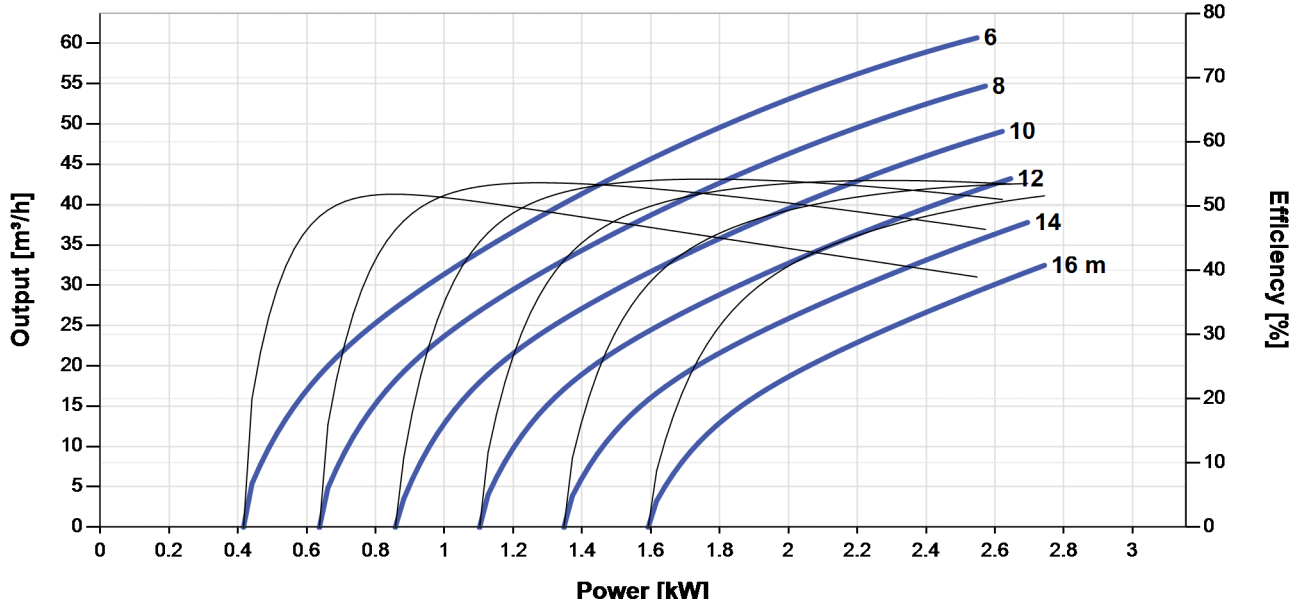


PS2-4000 C-SJ60-2-2

Solar Submersible Pump System for 6" wells

Pump Chart

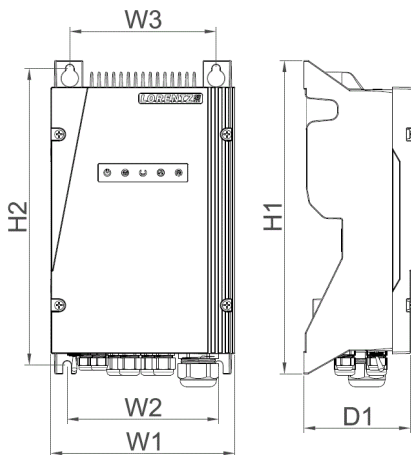
Vmp* > 238 V



Dimensions and Weights

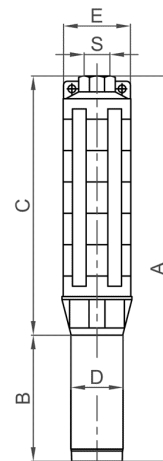
Controller

H1 = 352 mm
 H2 = 333 mm
 W1 = 207 mm
 W2 = 170 mm
 W3 = 164 mm
 D1 = 124 mm



Pump Unit

A = 726 mm
 B = 245 mm
 C = 481 mm
 D = 96 mm
 E = 150 mm
 S = 4 in



	Net weight
Controller	6.1 kg
Pump Unit	19 kg
Motor	10 kg
Pump End	9.0 kg

*Vmp: MPP-voltage under Standard Test Conditions (STC): 1000 W/m² solar irradiance, 25 °C cell temperature

