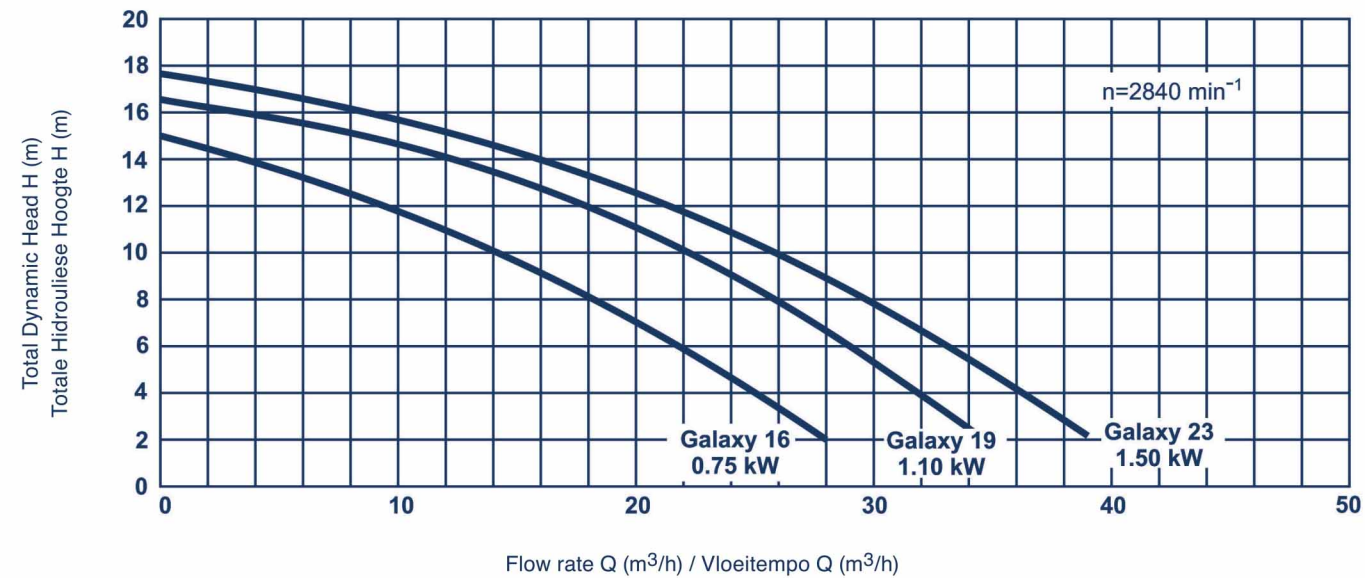


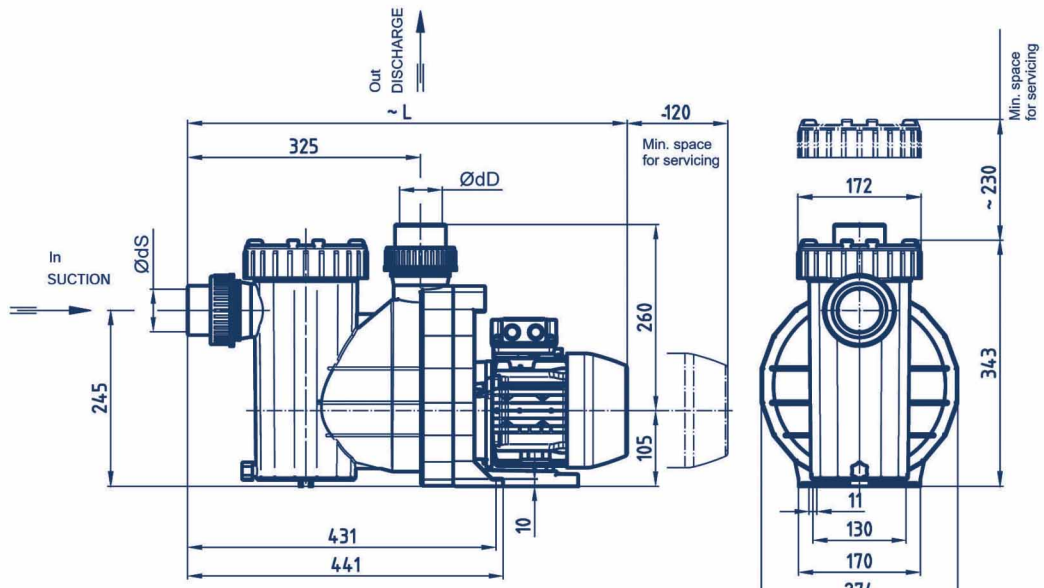
# BADU®Galaxy

Self-priming circulation pumps

Selfvoervoersirkulasiepompe



## DIMENSIONAL DRAWING / DIMENSIONELE SKETS



BADU®Galaxy range dimension table (mm) / BADU®Galaxy-afmetingstabel (mm)

Type / Model	Height / Hoogte	Length / Lengte	Width / Breedte	Inlet / Inlaat	Outlet / Uitlaat	Weight / Gewig
BADU®Galaxy 16	365	586	274	63/50	63/50	12.50kg
BADU®Galaxy 19	365	611	274	63	63	15.46kg
BADU®Galaxy 23	365	618	274	63	63	17.78kg

### Flow rate (Q) in L/h and L/minute

#### Vloeitempo (Q) in L/h en L/min.

5m <sup>3</sup> /h ≈	5 000L/h ≈	83 L/minute
10m <sup>3</sup> /h ≈	10 000L/h ≈	167 L/minute
15m <sup>3</sup> /h ≈	15 000L/h ≈	250 L/minute
20m <sup>3</sup> /h ≈	20 000L/h ≈	333 L/minute
25m <sup>3</sup> /h ≈	25 000L/h ≈	417 L/minute
30m <sup>3</sup> /h ≈	30 000L/h ≈	500 L/minute
35m <sup>3</sup> /h ≈	35 000L/h ≈	583 L/minute
40m <sup>3</sup> /h ≈	40 000L/h ≈	667 L/minute

### Pool/Pond size equipment recommendations

#### Toerusting aanbeveel volgens swembadgrootte

Pool / Swembadgrootte	Pump / Pomp	Filter / Filter
50 000 to 85 000 lit	0.75 kW	3 Bag
80 000 to 150 000 lit	1.10 kW	4 Bag or Jumbo
140 000 to 190 000 lit	1.50 kW	Jumbo